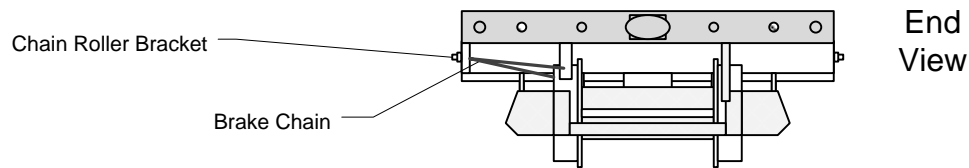


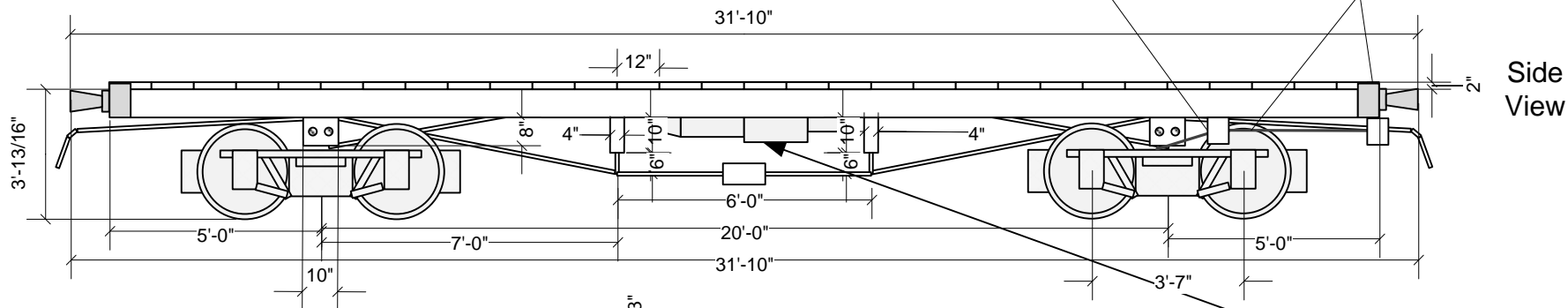
Gondola	
Page 1	of 3
Scale 1:48	



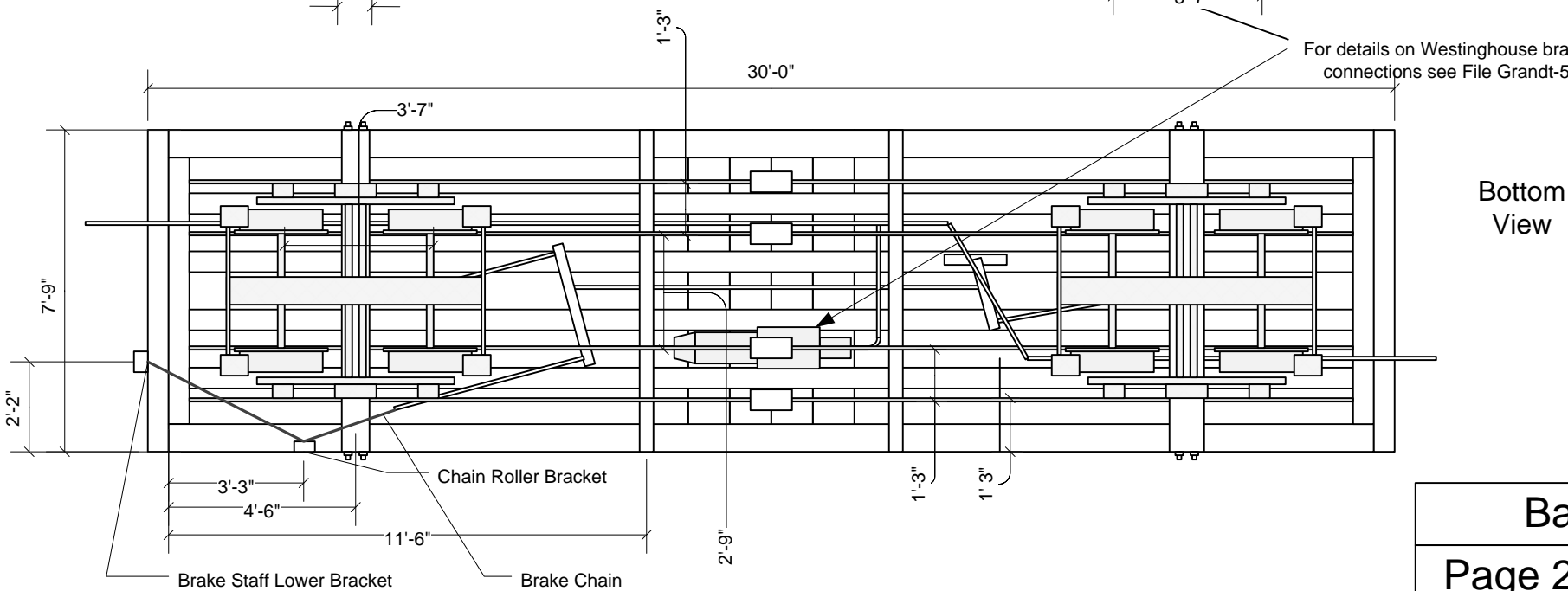
Brake Staff Lower Bracket. Details of Brake Staff, Pawl, Ratchet and Wheel shown on car pages

Chain Roller Bracket

Brake Chain

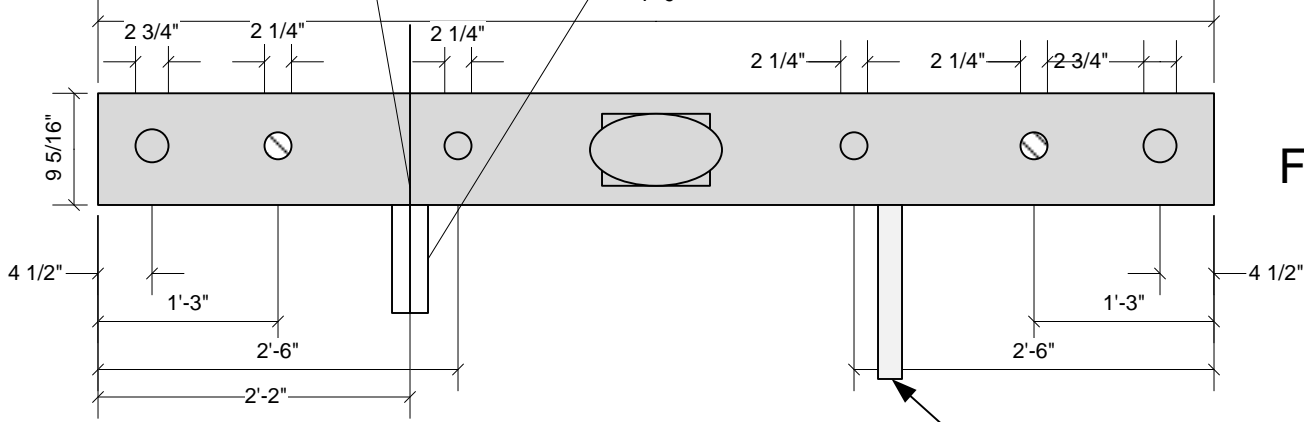


For details on Westinghouse brake rod connections see File Grandt-5040

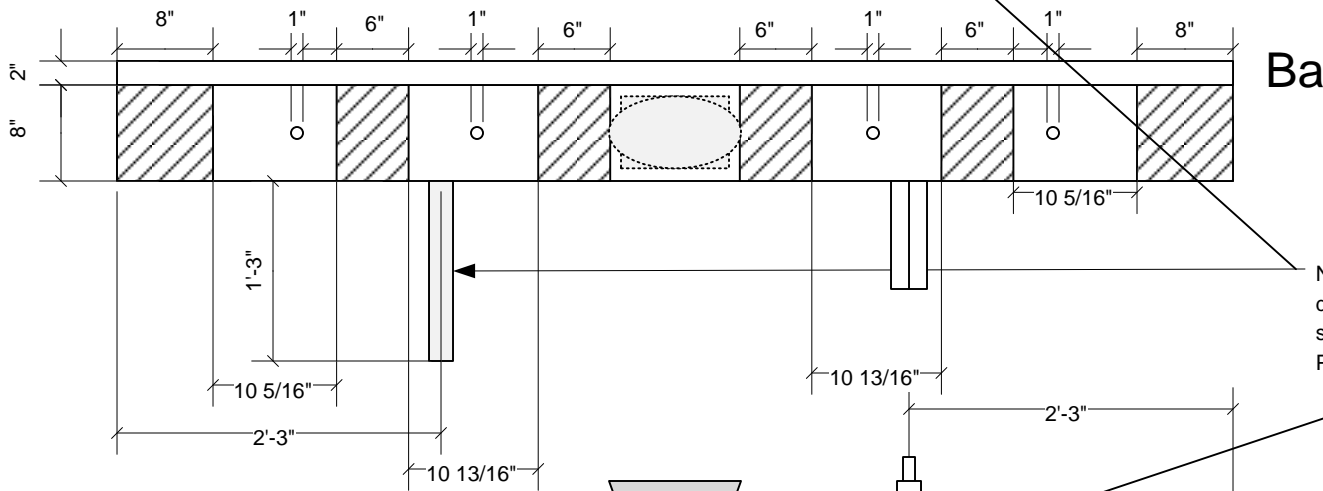


Base	
Page 2	of 3
Scale 1:48	

Brake Staff  
Brake Staff Lower Bracket

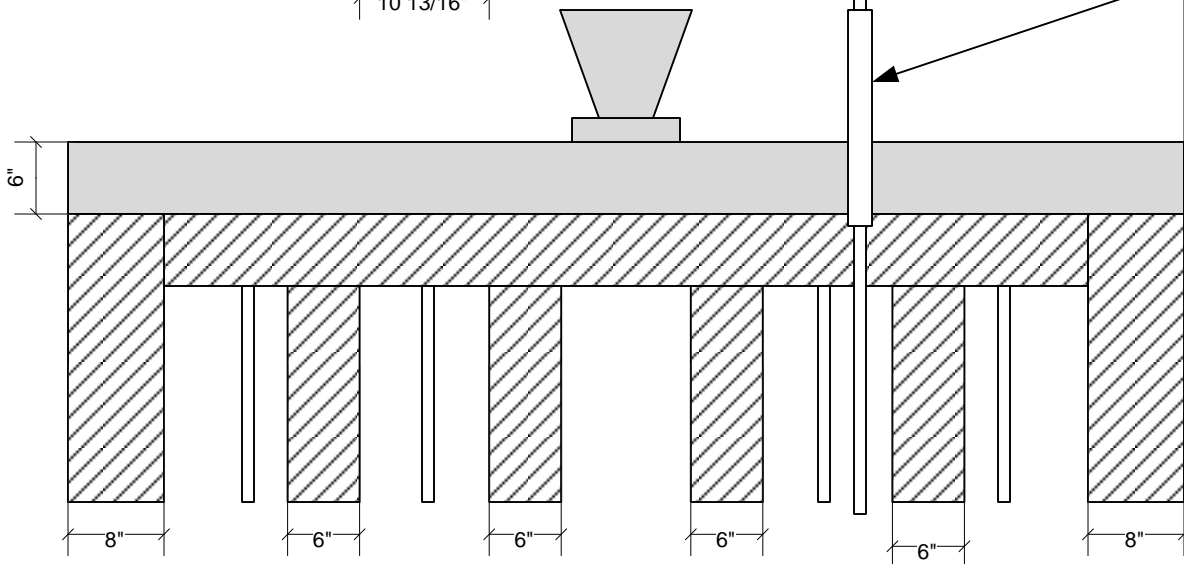


Front View



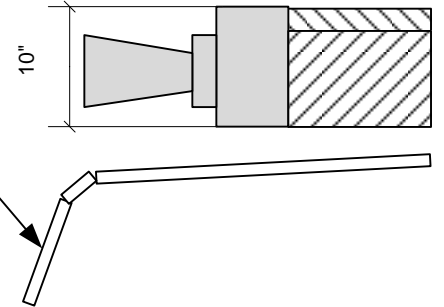
Back View

Note: Anglecock/Gladhand dimensions are nominal, for specific details, see File Precision-3307



Bottom View

Side View



End Sill	
Page 3	of 3
Scale 1:16	